

FILTRATION CHAMBERS KS BK

FOR CAPTURE OF AIRBORNE COARSE AND FINE DUST PARTICLES AND MICROPARTICLES



NEW:
Deliveries of chambers
with HEPA filters
H12 and H13!

For installation of filters
in the filtration classes G2-F9 (according to EN 779)
and H10-H13 (according to EN 1822)

- Easy installation into the piping system
- Rugged and stable construction
- Modern method of mounting pocket and compact filters in the mounting frames
- Easy handling during assembly
- The delivery includes a pressure meter for measuring pressure loss
- It is possible to install compact filters as well as to deliver chambers with multi-stage filtration
- The chambers will be designed exactly according to customer requirements

KS® Filtration chambers KS BK

Area of application

The filtration chambers KS BK are employed in air piping for separation of coarse dust (G2-G4), fine dust (F5-F9) as per EN 779 and microparticles as per EN 1822. Thanks to easy installation and modular arrangement, the chambers KS BK can be applied for air flows from 1 000 up to 51 000 m³/h.

Where small chamber construction depth is required, compact filter cells from filtration classes F6-F9 will be used instead of pocket filters. The chambers are also manufactured in sanitary design with built-in HEPA filters KS FP of the filtration class H13 according to EN 1822.

Examples of application of filtration chambers: air inlets of telecommunication exchange stations, hospitals, electrical engineering plants, pharmaceutical industry, public and production areas.

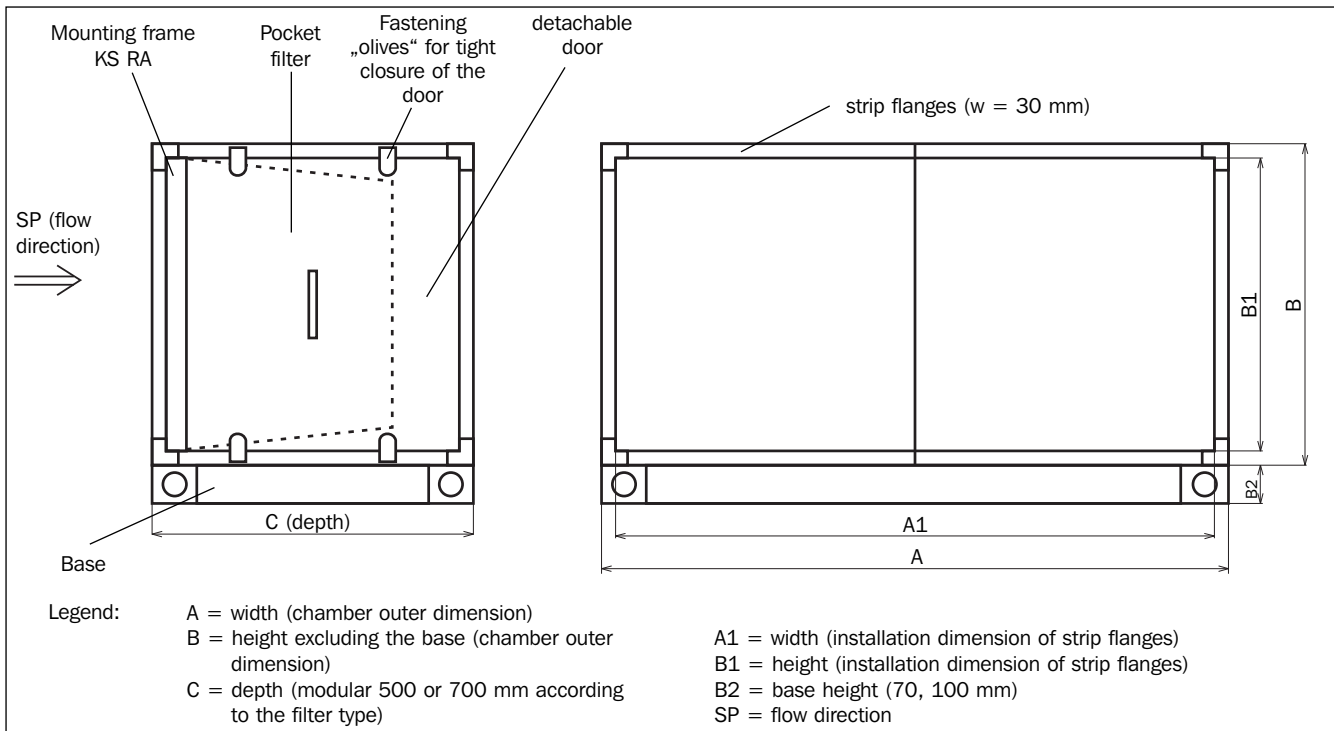
Description and design of filtration chambers KS BK

Filtration chambers KS BK are made of aluminium sections (frame) and casing consisting of galvanized steel sheet panel-boards. As standard, an inspection door is situated on the right side, in the air flow direction. The door location can be changed if required, or double-sided version for easy filter replacement can be produced. The inspection door is attached to the aluminium sections by means of four (or more) plastic caps („olives“). The filtration chamber contains mounting frames KS RA, where pocket or compact filters are mounted by means of fastening clamps. This method allows for tight filter attachment to the frame. The subsequent filter replacements are usually performed through the inspection door, from the side.

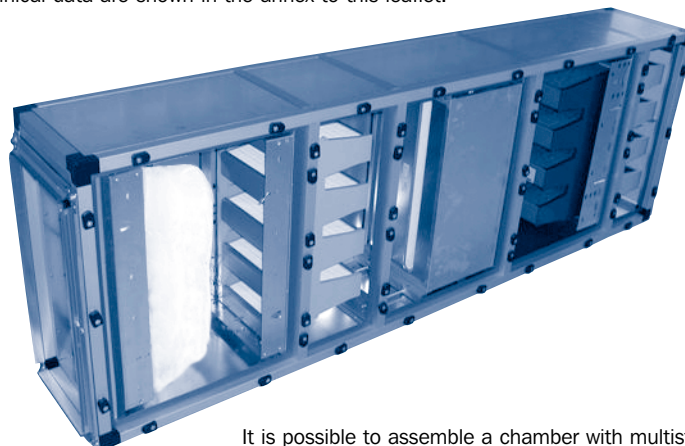
Metal filter cells KS MA 25 for separation of grease and oil aerosols, compact filter elements KS FP (F6-H13) or other types of filters, as required, can be mounted into the filtration chamber mounting frames. As standard, the filtration chamber is equipped with a pressure meter for measuring pressure loss (type KS 7030 including accessories). If required, the filtration chambers KS BK are produced with dual phase filtration (e.g. first filtration level – frame filter KS Z 2" and second filtration level – pocket filter KS PAK 62, F6).

The front faces of the filtration chambers are standardly equipped with connecting strip flanges, 30 mm wide, enabling direct connection to the air piping. The filtration chambers KS BK are also available in exterior version with a canopy.

Sketch of the filtration chamber KS BK



Note: As standard, the filtration chambers KS BK are supplied without the base. Size, dimensions and other technical data are shown in the annex to this leaflet.



It is possible to assemble a chamber with multistage filtration.

An overview of produced KS BK filtration chambers

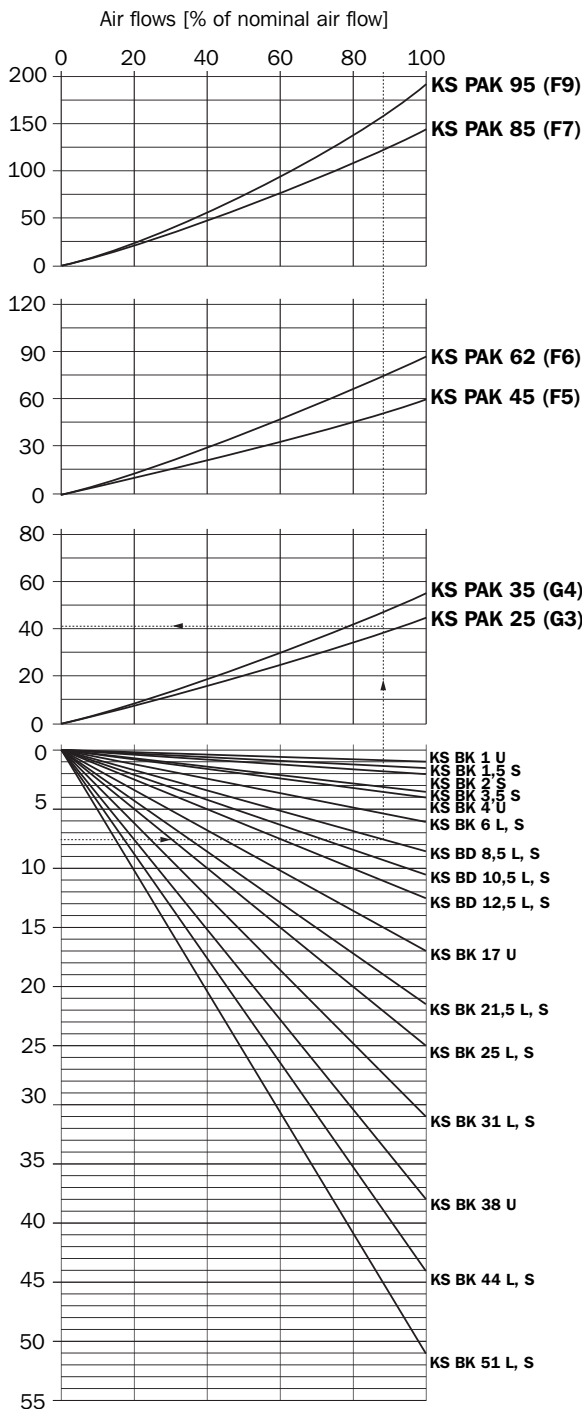
Type of unit	Drawing of the filtration chamber	Connecting dimensions of strip flanges [mm]	Recommended max. air volume [m ³ /h]
KS BK 1 U		305 x 305	1 000
KS BK 1,5 S		305 x 508	1 500
KS BK 2 S		305 x 610	2 000
KS BK 3,5 S		508 x 610	3 500
KS BK 4 U		610 x 610	4 000
KS BK 6 L		915 x 610	6 000
KS BK 6 S		610 x 915	6 000
KS BK 8,5 L		1 220 x 610	8 500
KS BK 8,5 S		610 x 1 220	8 500
KS BK 10,5 L		1 525 x 610	10 500
KS BK 10,5 S		610 x 1,525	10 500
KS BK 12,5 L		1 830 x 610	12 500
KS BK 12,5 S		610 x 1 830	12 500
KS BK 12,5 L(v)		1 220 x 915	12 500
KS BK 12,5 S(v)		915 x 1 220	12 500
KS BK 17 U		1 220 x 1 220	17 000

Type of unit	Drawing of the filtration chamber	Connecting dimensions of strip flanges [mm]	Recommended max. air volume [m ³ /h]
KS BK 21 L		1 525 x 1 220	21 000
KS BK 21 S		1 220 x 1 525	21 000
KS BK 25 L		1 830 x 1 220	25 000
KS BK 25 S		1 220 x 1 830	25 000
KS BK 31 L		1 830 x 1 525	31 000
KS BK 31 S		1 525 x 1 830	31 000
KS BK 38 U		1 830 x 1 830	38 000
KS BK 44 L		2 135 x 1 830	44 000
KS BK 44 S		1 830 x 2 135	44 000
KS BK 51 L KS BK 51 S		2 440 x 1 830 1 830 x 2 440	51 000

Pressure loss charts

Pressure loss [Pa]

Air flow [10^3 v m³/h]



Pocket filters KS PAK

Filtration chambers KS BK

Example of ordering a filtration chamber:

KS BK 3,5 S - F7 - BP

Chamber name

Chamber size

Design:
L – horizontal
S – vertical
U – universal
L(v) – horizontal, variable
S(v) – vertical, variable

Filtration class

Base:
BP – without base
SP – with base