

KS BK filter units

Filter units for air handling pipelines

Manufactured range

KS BK 1 – BK 51

Flow rate

1,000 – 51,000 m³/h

Structural depth of chambers

500 – ca 2,000 mm



Unit description

The BK filter units are an ideal solution for filtration of coarse or fine dust in all pipelines of air-handling units. The KS BK filter chambers are made of frame aluminium profiles (framework), their jacketing is made of zinc-coated steel sheet metal. They can also be supplied in the design for the outdoor environment.

Possibility of filter installation

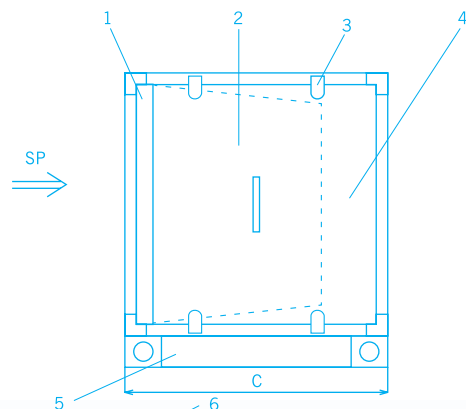
Ideal for pocket filters KS PAK, compact filters KS FP, metal filter elements, activated carbon elements KS AFP, etc.

Field of application

Air supply into telecommunication central offices, hospitals, pharmaceutical and electrical engineering plants, etc. In case of high cleanliness demands, we supply chambers in hygienic quality in filtration classes up to H13.

Advantages

- easy integration into a pipeline system
- solid and stable design
- modern method of mounting of pocket and compact filters in mounting frames
- easy handling during installation
- supplied with a pressure gauge for pressure loss measurement
- possibility to install compact filters, deliveries of chambers with multi-stage filtration
- design of chambers according to the customer's requirements, precisely according to specifications



Drawing description

- | | |
|--|--|
| 1 mounting frame KS RA | A1 width (connecting dimension of strip flanges) |
| 2 pocket filter | B1 height (connecting dimension of strip flanges) |
| 3 clips for tight closing of the door | B2 base height (70, 100 mm) |
| 4 removable door | SP flow direction |
| 5 base | |
| 6 strip flanges (w = 30 mm) | |
| A width (outer chamber dimension) | |

